

14118 Stowe Drive, Suite B  
 Poway, CA 92064  
 TEL: (858) 621-2700 | FAX: (858) 486-1927  
 URL: www.zcomm.com  
 EMAIL: applications@zcomm.com

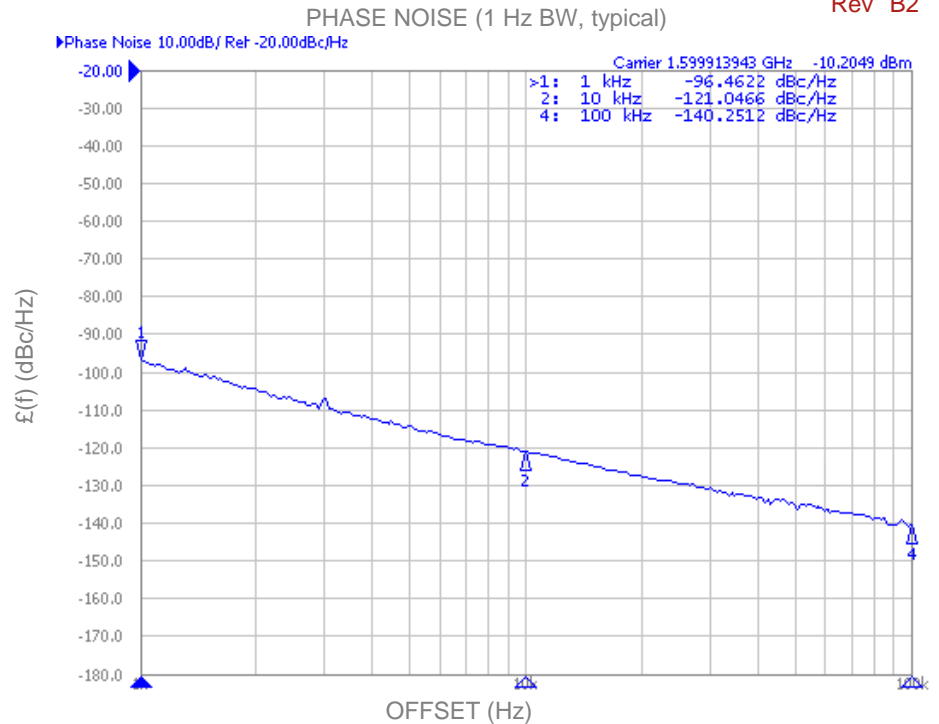
## Voltage-Controlled Oscillator Surface Mount Module

### Applications

- Clock Source
- Fixed Wireless Access
- 

### Application Notes

- AN-101: Mounting and Grounding
- AN-102: Output Loading
- AN-107: Manual Soldering



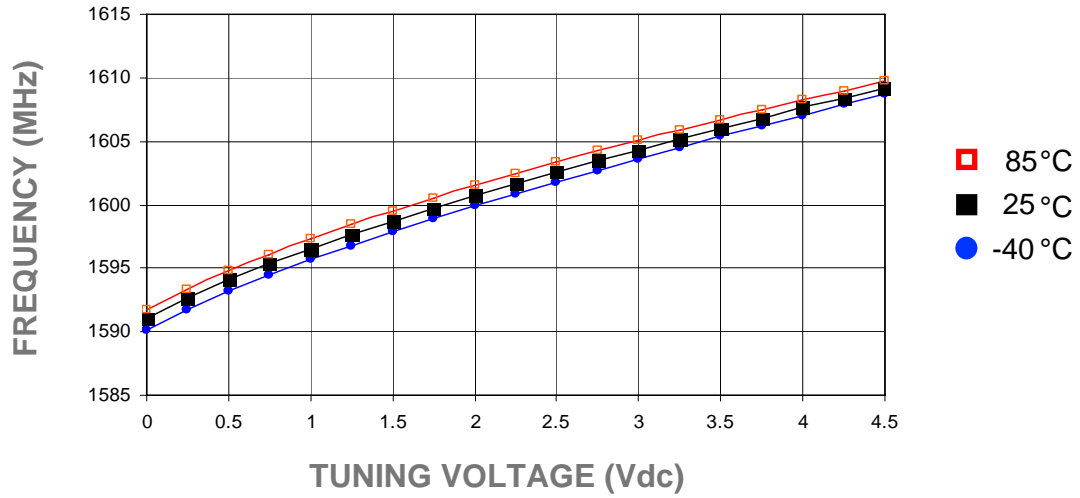
| Performance Specifications             | Min        | Typ  | Max  | Units              |
|--|------------|------|------|--------------------|
| Oscillation Frequency Range            | 1600       |      | 1600 | MHz                |
| Phase Noise @ 10 kHz offset (1 Hz BW)  |            | -119 |      | dBc/Hz             |
| Harmonic Suppression (2nd)             |            | -25  | -23  | dBc                |
| Tuning Voltage                         | 0.5        |      | 4.5  | Vdc                |
| Tuning Sensitivity (avg.)              |            | 5    |      | MHz/V              |
| Power Output                           | -6         | -3.5 | -1   | dBm                |
| Load Impedance                         |            | 50   |      | $\Omega$           |
| Input Capacitance                      |            |      | 50   | pF                 |
| Pushing                                |            |      | 1    | MHz/V              |
| Pulling (12 dB Return Loss, Any Phase) |            |      | 1    | MHz                |
| Operating Temperature Range            | -40        |      | 85   | $^{\circ}\text{C}$ |
| Package Style                          | MINI-16-SM |      |      |                    |

| Power Supply Requirements  | Min | Typ | Max | Units |
|----------------------------|-----|-----|-----|-------|
| Supply Voltage (Vcc, nom.) |     | 5   |     | Vdc   |
| Supply Current (Icc)       |     | 20  | 24  | mA    |

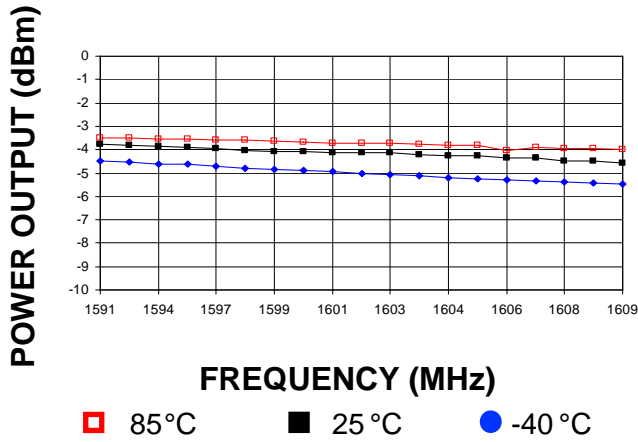
### Additional Notes

Tuning Voltage Min: 0.0V  
 Tuning Voltage Max: 10.0V

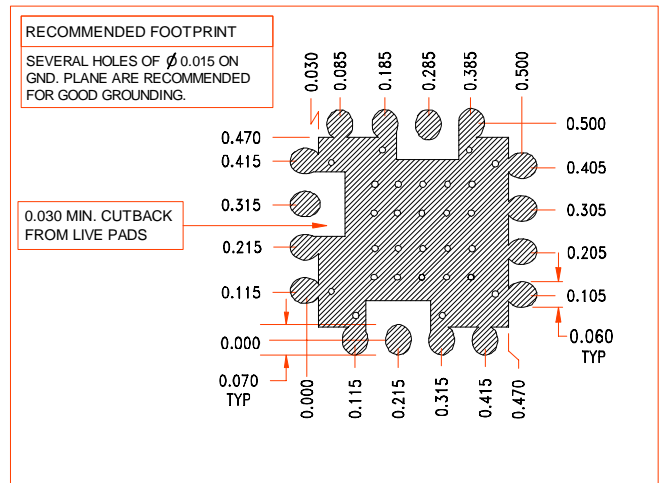
Tuning Curve, typ.



Power Curve, typ.



Footprint



Physical Dimensions



LFSuffix = RoHS Compliant. All specifications are subject to change without notice.